

HOW TO DEFINE A BAND HEATER

Also available on our web-site : www.acim-jouanin.fr

Company Tel : / Fax :
 Contact name : Department : Date :
 Brand of machine where the heater is installed on :

Kind of band heaters : <input type="checkbox"/> Mica band heater (p 4 and 7) <input type="checkbox"/> Sealed nozzle mica heater (p 2 et 5) <input type="checkbox"/> Ceramic band heater (p 8) <input type="checkbox"/> Mica b. h. with radial connection (p 13)	Dimensional of the heater : Diameter (mm) : Height (mm) : Wattage (W) : Voltage (V) : Single / Three phase	Material of the heater : <input type="checkbox"/> Aluminised steel <input type="checkbox"/> Stainless steel <input type="checkbox"/> Brass Number of pieces:
--	---	--

Connection : Please, precise type of bandheater and type of connection. For cable connection, please precise type of wires and length.

Same side, ⊥ gap		Same side, // gap			Connections on each side			
Mica - Ceramic	Mica - Ceramic	Mica	Mica - Ceramic	Mica - Ceramic	Mica - Ceramic	Mica - Ceramic	Mica	Mica

Wire connection : Standard (fiberglass) High temperature wires Silicone cable Metallic braid Other :
 Length multiple by 500 mm (mm) : Protection : Bead Length (mm) :

Connection under cap

Axial					
		Mica only			
Radial					
	radial connection				
Tangential					
	Mica - Ceramic	Mica - Ceramic	Mica - Ceramic	Mica	Mica - Sealed mica

Options and special manufactures:

For the following information, please, specify the position and the dimensional on the sketch below.

Hole : Diameter (mm) : Quantity :

Cutout: Length x width (mm) : Quantity :

Support for sensor: Diameter + thread pitch:

Other options (all usefull information) :

.....

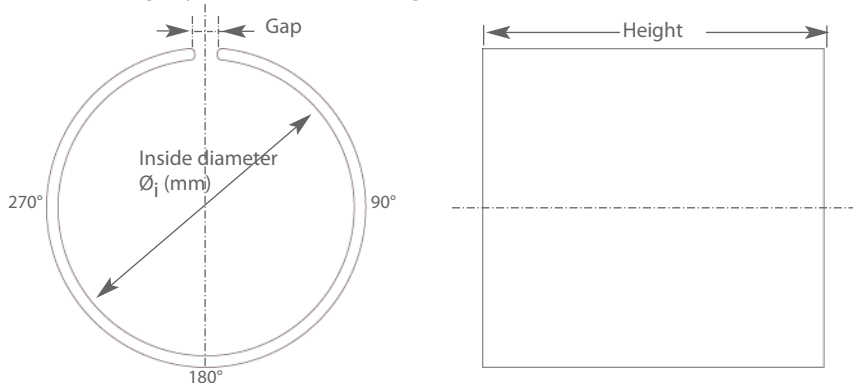
.....

Connection braid : Mutiple by 500 mm (mm) :
 CMBPE cap : Mention the angle of the cap : 0° 45° Other :

Clamping:

③ - Square angle flange ④ - Sliding keyway ⑤ - Quick release fasteners	① <input type="checkbox"/>	② <input type="checkbox"/>	③ <input type="checkbox"/>	④ <input type="checkbox"/>	⑤ <input type="checkbox"/>
① - Barrel nuts ② - Compensated clamping					

The angular values for position of connection, holes and sensor support have to be written clockwise, with the clamping as the point of reference. This form is only used to make an quotation. A drawing may be asked for manufacturing.



Other information

.....

.....

.....

.....

.....

.....

.....

The manufacturing of bandheaters depends on copmpatibility between wattage, intensity, dimensions, connection, accessories and options.

ACIM JOUANIN - 650, Rue Vulcain - Z.I. n°1 Nétreville - BP 1725 - 27017 EVREUX Cedex - FRANCE
 Tél : 33 (0)2.32.62.34.20 Fax : 33 (0)2.32.62.34.29 E-mail : export@acim-jouanin.fr Web : www.acim-jouanin.fr

Our products specifications are subject to change without notice. We reserve the right to modify them according to the technical evolution

To process your order or quotation for a mica or a ceramic band heater please specify the following technical information. When placing your order do not forget to enclose this shuttle form which will allow us to determine the parameters of your product.

Company: **Tel :** / **Fax :**

Contact name : **Department :** **Date**.....

- **Application :**
 - Rise in temperature Heating + Maintain in temperature Maintain in temperature only
- **Product to be heated:**
 - Mass or volume (static product) (kg or m³) : Flow (m³/h) :
 - Initial temperature (°C) : Final temperature (°C) : Ambient temperature(°C) :
 - Time for rising in temperature (hours) :
 - Characteristics : Density (kg/m³): Specific heat (J/ kg.K) : Thermal conductivity (W/m².°C)
 - Special information about the product :
 - Does the state of the product change during the heating (e.g. : a solid becomes liquid) :
Melting point (°C) : Latent heat of fusion (J/kg)
- **Brand of the engine on which the band heater will be mounted :**
 - Area to be heated: Diameter (mm) : Height (mm) :
Number of band heaters needed : (subject to manufacturing)
 - Electrical energizing of the band heater: Voltage (V): Single phase / Three-phase
Connection of the band heater: Wires or braid : lenght (mm) : Pins Terminal
 - Description of the band heater :
Materials of the support on which the b.a will be mounted..... Dimensions (mm) :
Weight or volume of the support (kg or m³) :
 - Description : Density (kg/m³): Specific heat (J/ kg.K) : (W/m².°C)
 - Bulk around the support :
 - Band heater clamp (if defined) :
 - If the band heater needs holes or any other drilling, please, mention it on the drawing on left.

Please send a drawing of the element you need to heat. This will help us to calculate the heat losses and to adapt the heater, taking into account the possible dimension requirements (e.g., indentations)
- **Environment:**
 - Use: food, industry, plastic... corrosive surrounding ... Special leak tightness, reinforced insulation:
 - Band heater material (if known): Alluminated Stainless steel brass
 - Operating place : inside or outside, heated place or not, wind,.....
- **Regulation :**
 - Temperature controllers : J thermocouple K thermocouple PT100 sensor
 - Model (bayonet to screw ...): ○ Sensor fittings: Diameter Lead
 - Regulation type: On/Off PID Other :

Do not hesitate to consult our documentation "Temperature sensors"

Band heaters are subject to compatibility of the watt density, voltage, dimension, termination, accessories and options.

ACIM JOUANIN - 650, Rue Vulcain - Z.I. n°1 Nétreville - BP 1725 - 27017 EVREUX Cedex
Tél : 33 (0)2.32.62.34.20 Fax : 33 (0)2.32.62.34.29 E-mail : export@acim-jouanin.fr Web : www.acim-jouanin.fr

Our products specifications are subject to change without notice. We reserve the right to modify them according to the technical evolution