

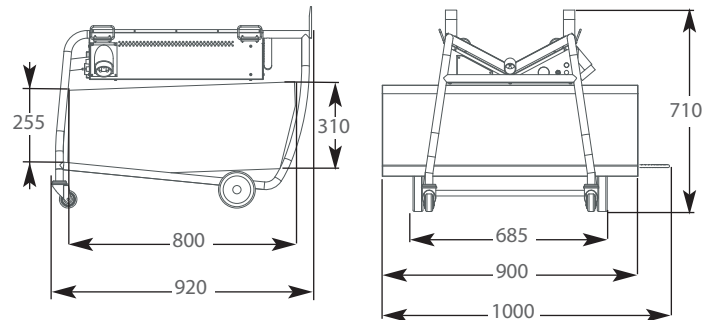
- Heating device mounted on a movable trolley (2moving wheels + 2 fixed wheels) for metallic drum
- Stainless steel tubular heaters with loading 1W/cm².
- IP44 regulation box included in the heating device. Temperature control with 30 - 110°C adjustable bulb thermostat. Other temperature ranges available .
- Connection with IP44 standard male plug : 3 phases + neutral + earth. (female plug LEG 7000 available upon request).
- Heater supplied with :
 - removable lever arm
 - insulated blanket with straps
- Optional extra : 50 liters retention tub made of steel, fixed to the truck and equipped with a lateral waste outlet.
- Manufacturing according EN 60335-1 standards
- Special manufacturings :
 - Voltage 230V threephase.
 - Customer-made belts for drums with bigger diameters.

Diameter of the drum (mm)	Wattage (W)	Voltage	Stock references
470	4.5 kW	400 V tri	DIABLE
50 liters retention tub			BAC.DIABLE

Heater equipped with retention tub (optional extra)
Drum not supplied



- Dimensions :



DRUM HEATER

- Movable device (4 wheels) for metallic drums, made of 2 parts pivoting on hinges. Alternative to the heating belts, especially when the drum is fluted over the whole height.
- Outside and inside sheets in stainless steel
- Stainless steel tubular heaters
- Rock wool insulation
- Tightening with quick release fasteners
- Temperature control with 30-110°C bulb thermostat placed against the surface of the drum thanks to a sensor 180°C preadjusted safety thermostat. Thermostats with other temperature ranges available upon request
- Manufacturing according EN 60335-1 standards

Using instructions :

- This material is not watertight. It has to be used protected from bad weather and water ejections
- If the drum has a smaller diameter, be sure that it is in contact with the bulb. Please note that if you use small diameters, the heating zone will probably be not homogeneous around the drum.

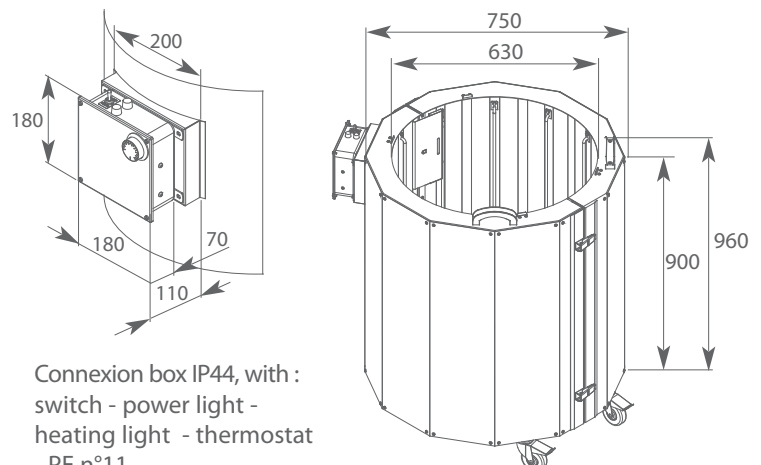
Diameter of the drum (mm)	Wattage (W)	Voltage	Stock references
560 to 615	4000	230 V tri/400 V tri*	RECHAUFFEUR1
	Insulated lid		COUV.RECHAUF

Switchable versions just by moving the coupling strips



Drum heater equipped with insulated lid (option extra)

- Dimensions :



Connexion box IP44, with :
switch - power light - heating light - thermostat - PE n°11.