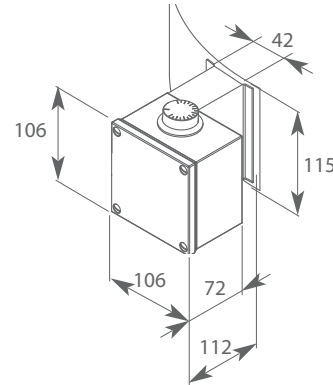


- Low loading : 1W/cm²
- Stainless steel belt, IP 55 watertight, with tubular heating element.
- Belt equipped with handles.
- Connection box equipped with thermostat, compression gland for cable and ceramic terminal block for electrical connecting. Voltage 230V single phase, 400V single phase upon request
- Temperature control with 50° to 300° adjustable bulb and capillary thermostat. (CEINT10 supplied without thermostat) Thermostats with other temperature range available upon request. Note : the sensor measures the temperature between the surface of the belt and the drum, but not the temperature of the content of the drum
- Tightening with quick release fasteners, allowing to easily fit the belt on the drum.
- Manufacturing according EN 60335-1 standards
- To define your drum heating material, please see p11



- Dimensions of the connection box :



- For information, please see p4 an example of temperature rise according wattage

Drum capacity *	Diameter Ø (mm)	Height H (mm)	Wattage (W)	Thermostat	Stock reference
200 liters	560 to 600	120	2500	Oui	CEINT9
				Non	CEINT10

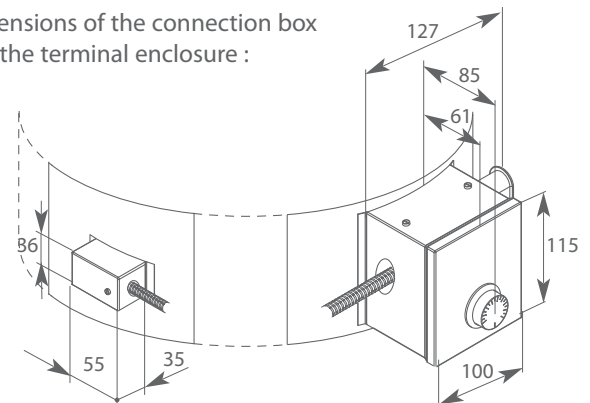
*Estimated volume - non-contractual information.

MICA ECONOMIC BELT

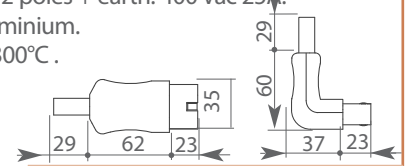
- Low loading (1W/cm²) to avoid carbonization of delicate products.
- IP32 belt, equipped with hinge in the middle and handles on both sides for better prehension
- Aluminized steel inside sheet and stainless steel tightening sheet
- Mica insulated heating elements
- Connecting cable between connection box and linking box protected with flexible metallic conduit.
- Connection box equipped with thermostat and connection plug : male plug with 2 pins 6 mm, 19 mm spaced out + earth Voltage 230V single phase
- Temperature control with 30° to 110° adjustable bulb thermostat. Thermostats with other temperature range available upon request Note : the sensor measures the temperature between the surface of the belt and the drum, but not the temperature of the content of the drum.
- Fast adjustable tightening thanks to a wing nut
- Manufacturing according EN 60335-1 standards
- For information, please see p4 an example of temperature rise according wattage.
- To define your drum heating material, please see p11.



- Dimensions of the connection box and the terminal enclosure :



Option : Female plug with 2 poles + earth. 400 Vac 25A.
Head : ceramic. Shell : aluminium.
Max. using temperature : 300°C.



Kind of plug	Condit.	Stock
Straight plug	1 piece	FFRE8/1
Plug with right angle	1 piece	FFTE8/1

Drum capacity *	Diameter Ø (mm)	Height H (mm)	Wattage (W)	Weight (kg)	Stock reference
200 to 225 l	560 à 600	120	2500	5	CEINT.7

*Estimated volume - non-contractual information.

Our products specifications are subject to change without notice. We reserve the right to modify them according to the technical evolution